

SPECIFICATION



100W LED HIGH BAY LIGHT

■ BRX-HB-100 – N2

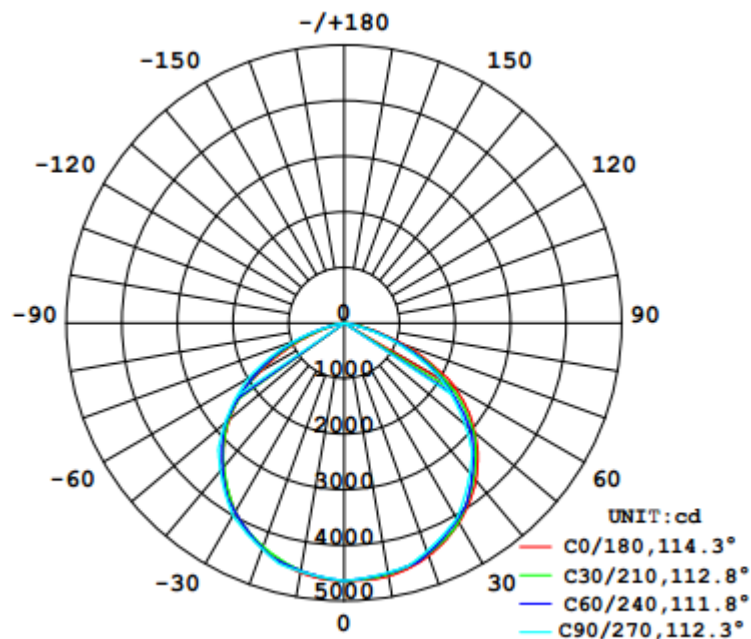
Features

High Bay Light Series, using the 3030 LEDs ,high lumen original Bridgelux chip and Meanwell Driver . Professional heat dissipation structure design. Modular heatsink with perfect structure and insde airflow channels maxima the 3D heat dissipation .High efficient heatpipes contact the heat source directly ,maxima the performance of the heatpipe to reach the cooling effect .



LM-80

LUMINOUS INTENSITY DISTRIBUTION DIAGRAM

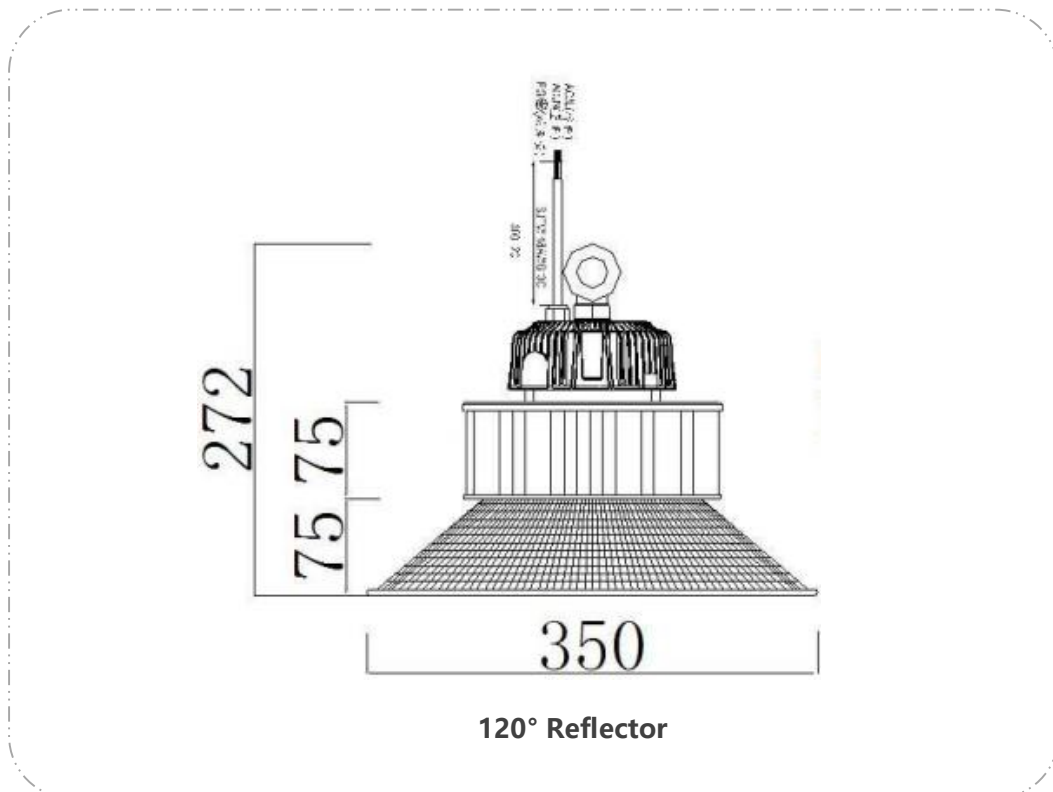


AVERAGE BEAM ANGLE (50%) 112.8 DEG

Parameters

Model Number	BRX – HB - 100	Power	100W
Input Voltage	AC100-240V	LED Chip	Bridgelux3030 100PCS
Power Factor	>95%	Luminous Flux	11000-12000LM
Beam Angle	120°	IP Grade	IP 65
Lumen Output	11500lm@8000K	Power Line (0.75mm ² Three-core wire)	Brown : L Blue : N Yellow/Green : G
Color of lamp housing	black heat sink	Driver	Meanwell
Working Temperature	-25°C~+55°C	Store Temperature	-25°C~+65°C
Product Size	Φ350*H272mm	Package Size	255*255*280/pcs
G.W	3.9kg	Warranty	2 Years

Dimension



Light Distribution

